

00M型多回转阀门电动装置 Model 00M Multi-turn Valve Electric Actuators

00M2~00M5是我公司最新研制的多回转型阀门电动装置。它们可直接与闸阀、截止阀等类型的阀门进行组合成为工业管道系统中的控制单元。00M2~00M5也可与不同型式的二级减速机构进行组合，成为可控制球阀、蝶阀等类型阀门的部分回转型阀门电动装置。

00M2~00M5的设计符合JB/T8528—1997《普通型阀门电动装置技术条件》的规定。在保持我公司原ZA系列产品优点的基础上又借用了引进技术Limatorque SMC产品的控制机构，使得00M2~00M5控制系统更为可靠。

00M2~00M5具有良好的户外防护性能，防护等级为IP67（需IP68时特殊订货）。产品也可制成隔爆型（型号中有Ex符号），其防爆等级为d II BT4。

00M2~00M5还具有较大的控制触点选择范围，也可提供整体控制型，是一种性能优异的经济型多回转电动装置产品。

00M2 - 00M5 is a type of multi-turn valve electric actuator newly developed by our company. Combining with gate valve and globe valve, these actuators can be formed controlling units used in industry piping system. Also these actuators can combine with various two-step speed reducers to form quarter-turn valve electric actuators used on ball valve and butterfly valve.

The design of the 00M2 - 00M5 actuators is in accordance with the regulations given in the JB/T 8528--1997《Technical Requirement of General Valve Electric Actuators》. Based on the superior performances of our original series ZA products and the technique introduced from Limatorque SMC products, the 00M2 - 00M5 controlling systems are more reliable.

With good outdoor protection capability, the protection class of the 00M2 - 00M5 can be up to IP67 (if IP68 is required please specify in ordering). These products can also be of explosion-proof type (code Ex is showed in type signification); its explosion-proof class is dIIBT4.

The 00M2 - 00M5 products possess more large selecting range of controlling contacts. Integral control type can also be supplied, so they are a type of economic multi-turn electric actuators with excellent performances.

00M2~00M5基本技术参数

00M2-00M5 basic technical parameters

项目 Item	规格 Size	最大控制转矩 Max. Control torque (N·m)	输出转速 Output speed (r/min)	允许最大阀杆直径 Permissible max. diameter of stem (mm)	电机参考功率 Motor power (kW)	电机额定电流 Rated current of motor (A)	参考净重 Net Weight (Kg) 基本型/防爆型 General type/ Explosion-proof
00M2 (00M2Ex)	00M20-18	200	18	40	0.55	2.4	58/66
	00M20-36		36		0.75	2.72	
	00M30-18	300	18		0.75	2.72	65/73
	00M30-36		36		1.1	3.4	
	00M40-18		400		18	1.1	
00M40-36	36	1.5		4.5			
00M3 (00M3Ex)	00M45-18	450	18	65	1.1	3.4	112/120
	00M45-36		36		1.5	4.5	
	00M60-18	600	18		1.5	4.5	120/128
	00M60-36		36		2.2	6.5	
00M4 (00M4Ex)	00M90-18	900	18	78	2.2	6.5	160/168
	00M90-36		36		2.2	6.5	
	00M120-18	1200	18		3.0	9.0	168/176
00M120-36	36		3.0	9.0			
00M5 (00M5Ex)	00M160-18	1600	18	96	4.0	11	265/273
	00M160-36		36		5.5	14	
	00M240-18	2400	18		5.5	14	286/294
	00M240-36		36		7.5	19	

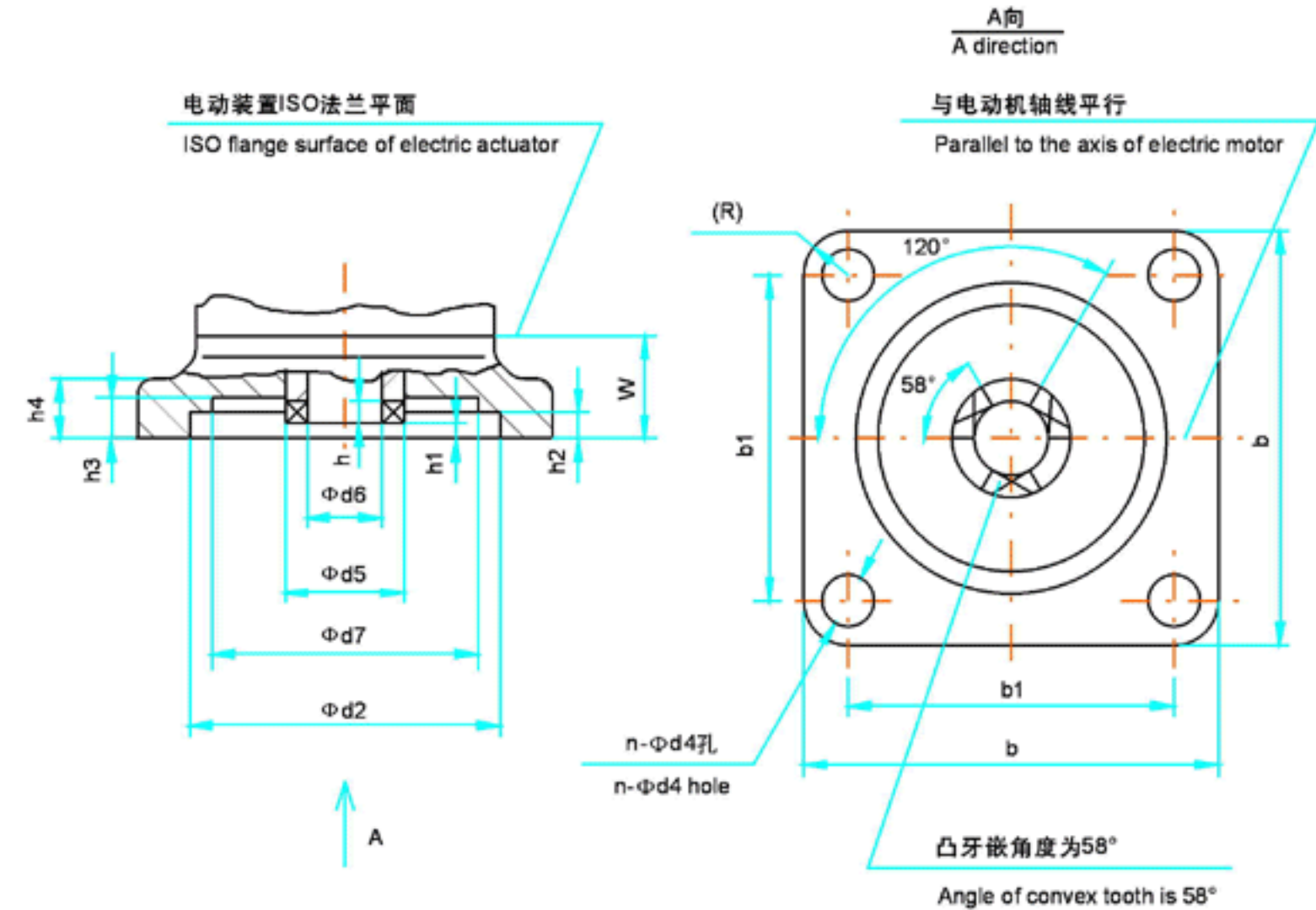
说明：额定电压下，电机堵转电流与额定电流之比的保证值为7，其容差为保证值的+20%

Description: Under the rated voltage, the ratio of blocking current of motor to rated current is 7, its tolerance is +20% of guarantee value.

00M型多回转阀门电动装置 Model 00M Multi-turn Valve Electric Actuators

方方法兰连接型式及尺寸（附加法兰）

Connection mode and dimensions of square flange (additional flange)



代号 Code	b	b1	Φd2 (H8)	n-Φd4	Φd5	Φd6	Φd7	h	h1	h2	h3	h4	(R)	W
00M2	170	135	135	4-Φ18	55	42	125	10	5	10	—	20	17.5	45
00M3	240	190	190	4-Φ24	88	67	175	10	6	10	20	24	25	54
00M4	310	250	270	4-Φ26	108	81	200	12	8	10	24	28	30	65
00M5	310	250	270	4-Φ32	128	102	150	12	8	10	24	28	30	110

- 防爆型时尺寸与上表相同
- Sizes for explosion-proof type are in the same as showing in above table.

00M型多回转阀门电动装置

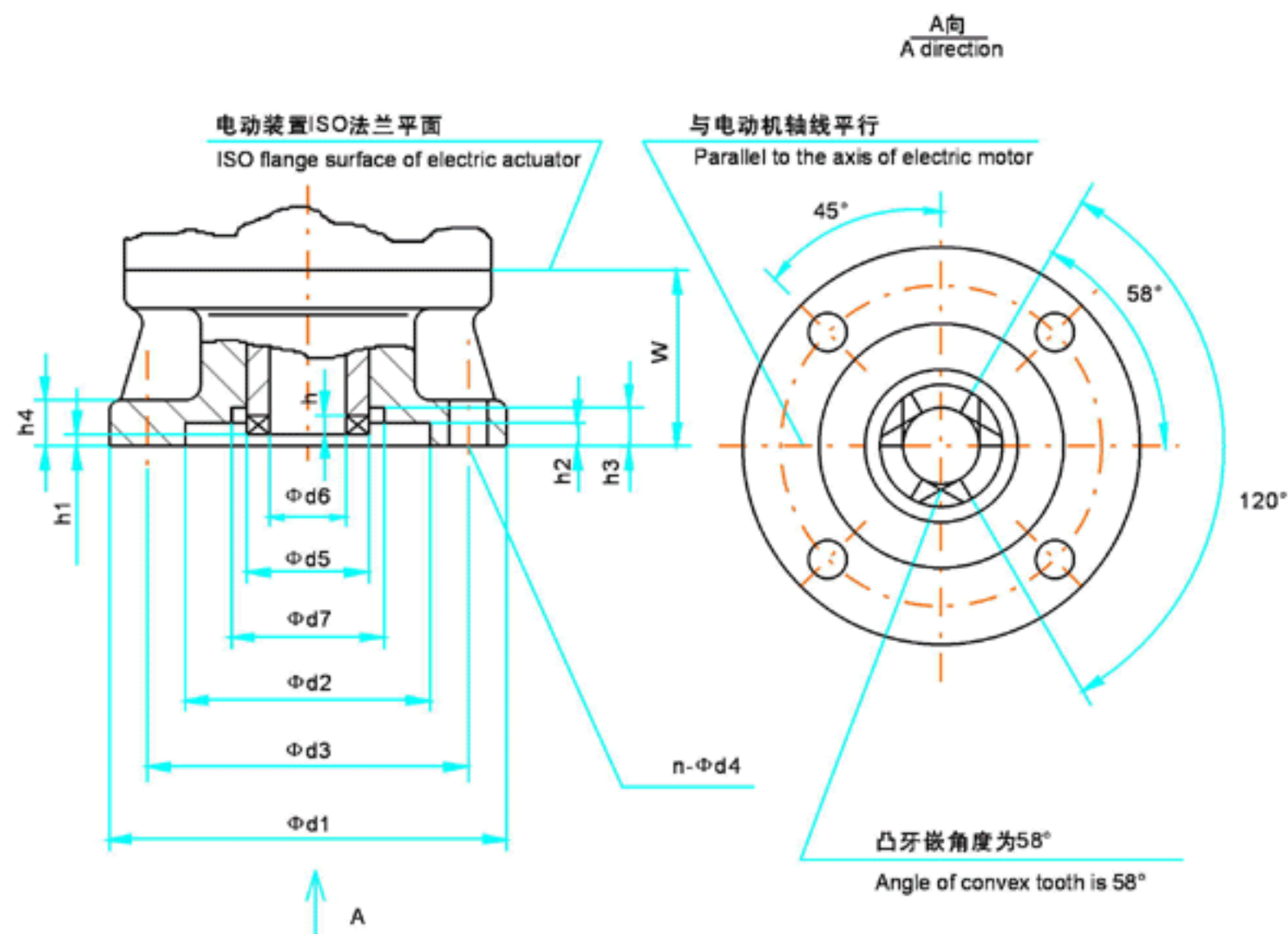
Model 00M Multi-turn Valve Electric Actuators

00M型多回转阀门电动装置

Model 00M Multi-turn Valve Electric Actuators

Jb2920—81法兰连接型式及尺寸 (附加法兰)

Connection mode and dimensions of JB2920-81 flanges (additional flange)

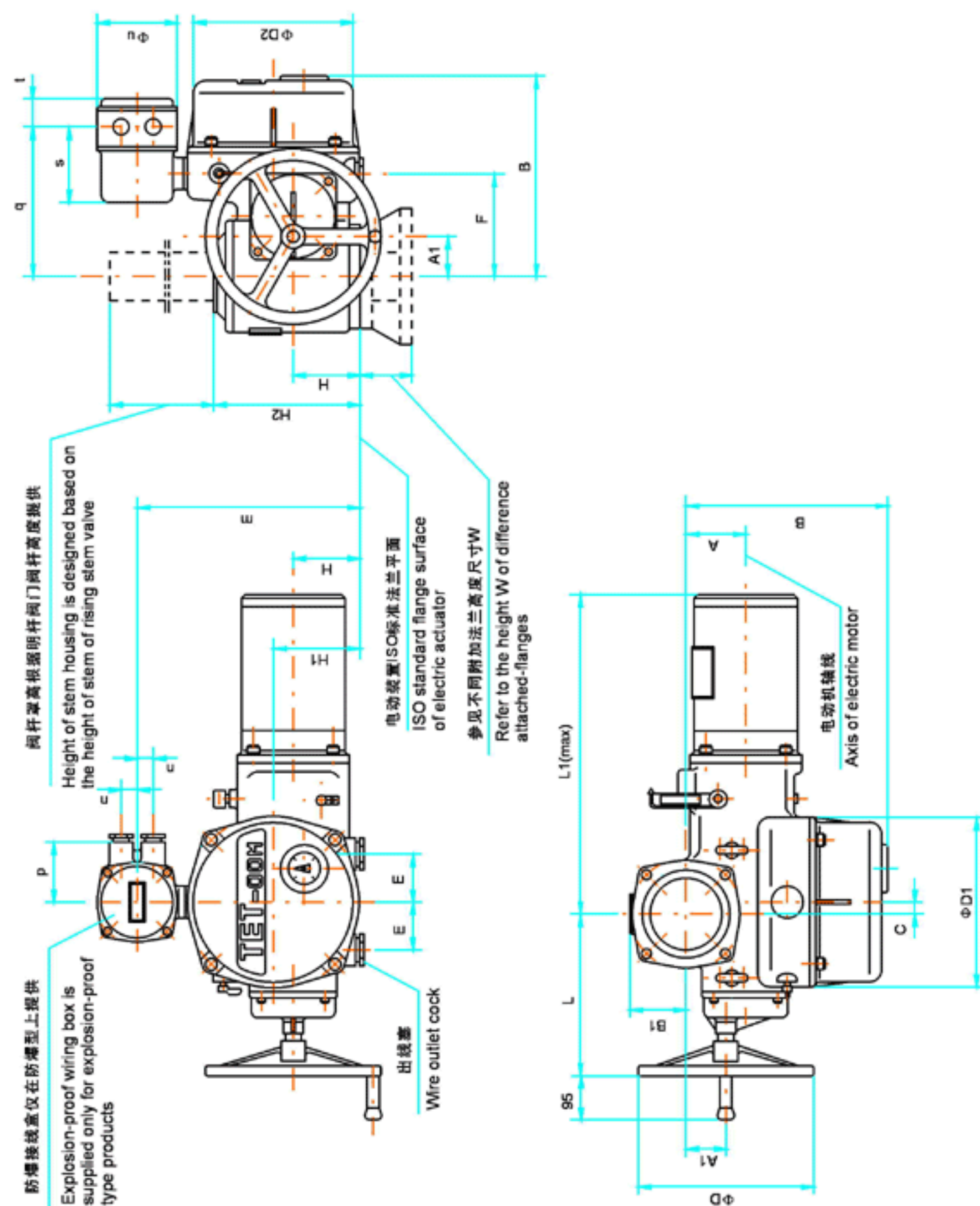


代号 Code	Φd1	Φd2 (18)	Φd3	n-Φd4	Φd5	Φd6	Φd7	h	h1	h2	h3	h4	W
00M2	185	125	160	4-M12	58	42	60	10	2	8	14	30	30
00M3	225	150	195	4-Φ18	72	46	81	12	2	6	16	25	120
00M4	275	180	235	4-Φ22	82	62	95	14	2	10	18	25	120
00M5	330	220	285	4-Φ26	100	72	110	16	3	8	22	30	145

- 防爆型时尺寸与上表相同
- Sizes for explosion-proof type are in the same as showing in above table.

00M系列产品外形尺寸图

Outline dimensions of series 00M products



00M型多回转阀门电动装置

Model 00M Multi-turn Valve Electric Actuators

00M2 (00M2Ex) ~ 00M5 (00M5Ex) 外形尺寸表

Overall dimensions of 00M2(00M2Ex)~00M5(00M5Ex)

型号 Model	代号 Code	A	A1	B	B1	C	ΦD	ΦD1	ΦD2	E	F	H
00M2 (00M2Ex)		79	49.5	$\frac{285}{361}$	87	0	200	246	236	65	142	85
00M3 (00M3Ex)		92	40	$\frac{337}{413}$	93	0	305				157	110
00M4 (00M4Ex)		115	72.5	$\frac{366}{442}$	112	10	305	290	272	85	187	121
00M5 (00M5Ex)		141	68	$\frac{403}{479}$	167	20	458				224	170

型号 Model	代号 Code	H1	H2	L	L(max)	以下为防爆型增加外形尺寸 The following is additive overall dimensions of explosion-proof products						
						m	n	p	q	s	t	Φu
00M2 (00M2Ex)		112	215	215	400	314			220			
00M3 (00M3Ex)		146	230	303	475	367			230			
00M4 (00M4Ex)		157	255	353	605	378	25	100	259	132	63	142
00M5 (00M5Ex)		206	355	436	740	427			296			

- 注: (1) 尺寸“B”分子所示为行程开关4R-2C时,尺寸“B”分母所示为行程开关4R-4C,或整体型时。
 (2) 产品为防爆型时“B”尺寸均增加25mm。
 (3) 两电缆进线密封机构推荐使用Φ17控制电缆和Φ11电源电缆。(防爆型产品的进线机构和使用方法详见产品使用说明)

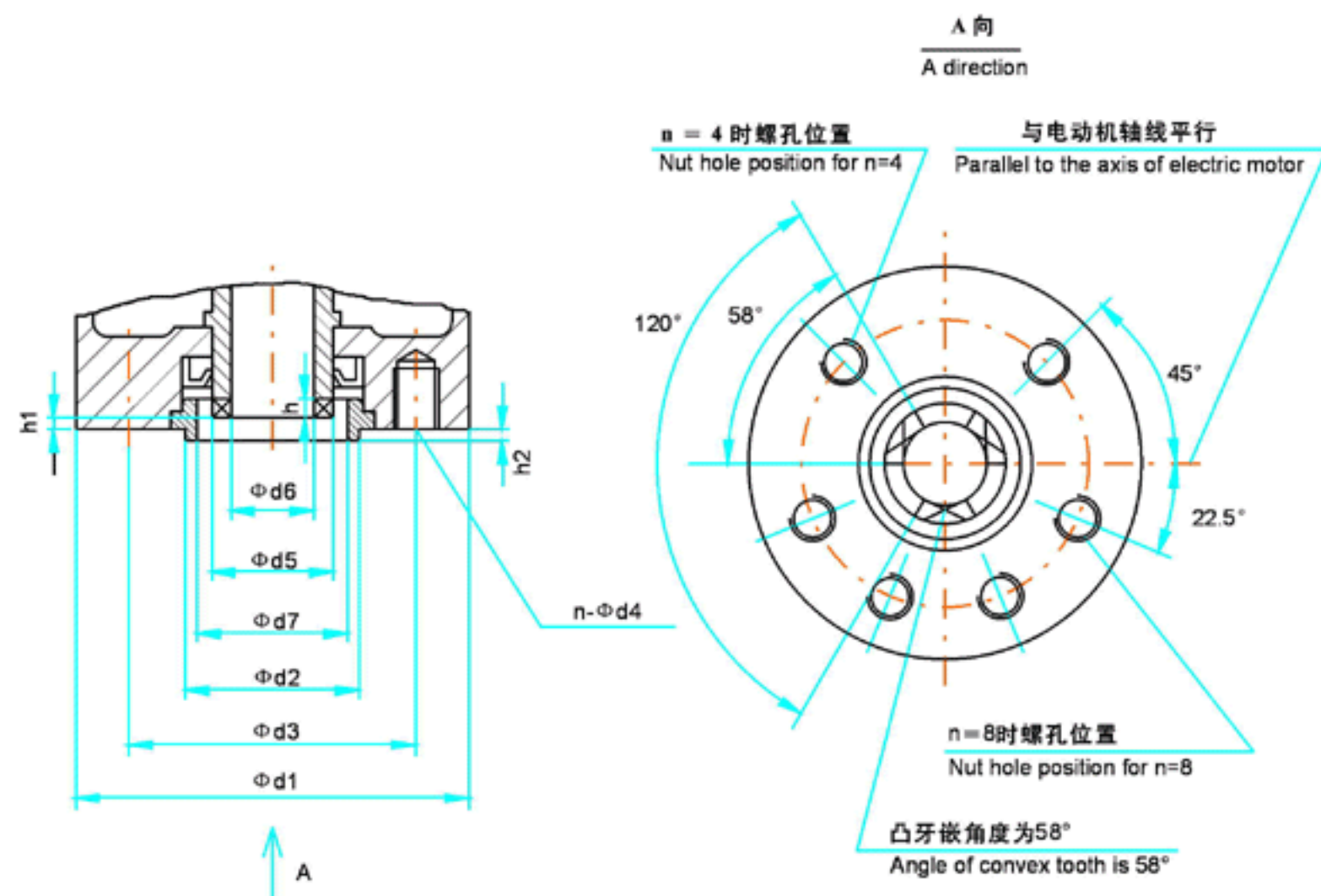
Note: (1) The numerator of size B indicates that the limit switch is 4R-2C. The denominator of size B indicates that the limit switch is 4R-4C or integral type.
 (2) As product is of explosion-proof type, the size B increases 25mm.
 (3) For two cable inlet sealing structures, it is recommended to use Φ17 control cable and Φ11 power source cable. (For details of inlet structure and operating method of explosion-proof products, see operation manual).

00M型多回转阀门电动装置

Model 00M Multi-turn Valve Electric Actuators

ISO标准法兰连接型式及尺寸

Connection mode and dimensions of ISO standard flange



代号 Model	法兰号 Flange code	Φd1	Φd2 (f8)	Φd3	n-Φd4	Φd5	Φd6	Φd7	h	h1	h2
00M2	F10	125	70	102	4-M10深16 4-M10 depth 16	55	42	64	10	2	3
	F14	175	100	140	4-M16深20 4-M16 depth 20			90		3	
00M3	F14	175	100	140	4-M16深32 4-M16 depth 32	86	67	95	10	3	3
00M4	F16	210	130	165	4-M20深30 4-M20 depth 30	99	81	120	11	5	3
00M5	F30	350	230	298	8-M20深30 8-M20 depth 30	126	102	170	16	3	5

- 防爆型时尺寸与上表相同
- Sizes for explosion-proof type are in the same as showing in above table.