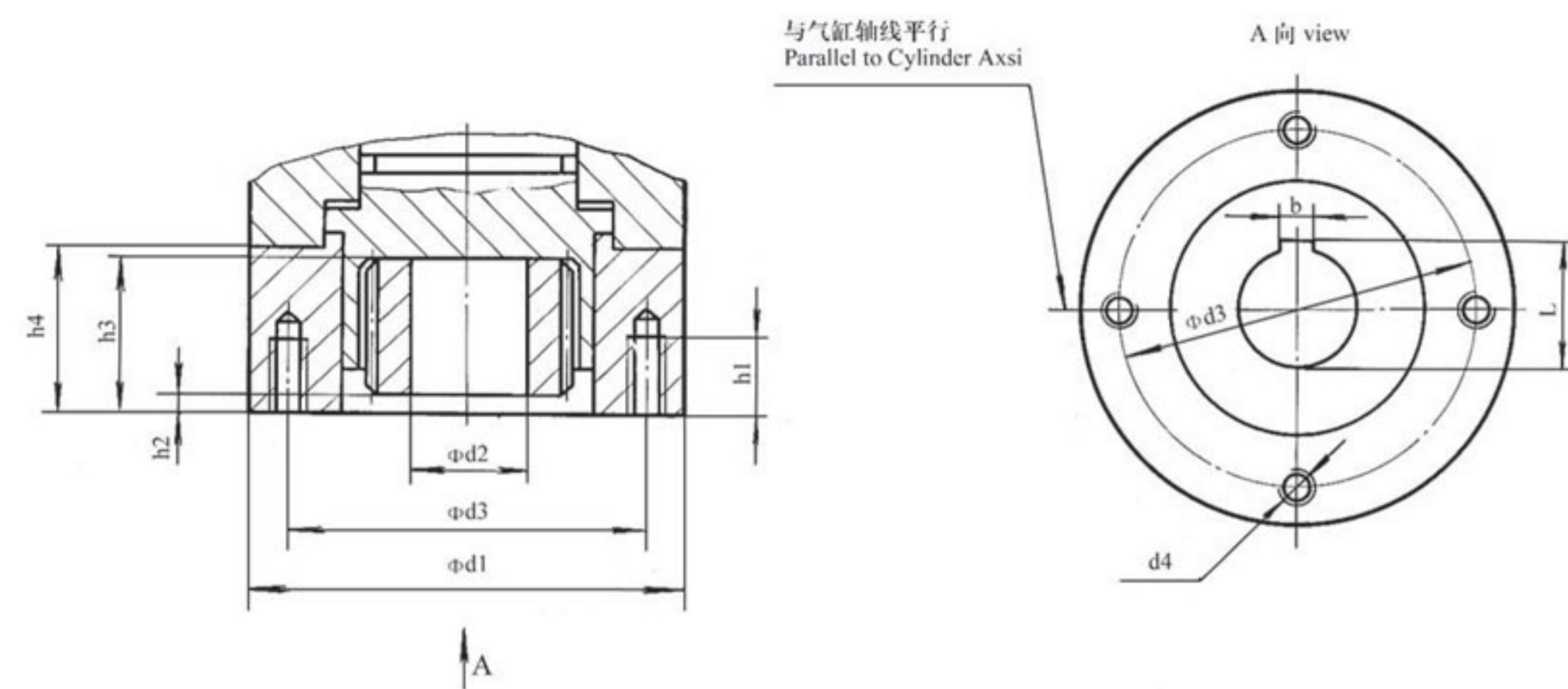




TAG、TAW 与阀门的连接型式及尺寸

CONNECTING TYPE AND SIZE OF FLANGE FOR TAG AND TAW



型号 及法兰代号 Model & Flange	尺寸代号 Dim Code	d1	d2	d3	d4	h1	h2	h3	h4	b	L
TAG-09	G09-1	90	12.6 ^{+0.035} ₀	57	4-M6	10	2	36	35	3±0.015	14 ^{+0.1} ₀
	G09-2		12 ^{+0.059} ₀	55						4±0.015	13.8 ^{+0.1} ₀
	G09-3		22 ^{+0.072} _{+0.020}	50						6±0.015	24.8 ^{+0.1} ₀
TAG-11	G11-1	95	15.8 ^{+0.035} ₀	69.85	4-M10	17	2	36	35	5±0.015	18.1 ^{+0.1} ₀
	G11-2		16 ^{+0.059} ₀	72	4-M8	14				18.3 ^{+0.1} ₀	
	G11-3			75						6±0.015	18.8 ^{+0.1} ₀
	G11-4		20 ^{+0.072} _{+0.020}	72	4-M10	17				22.8 ^{+0.1} ₀	
	G11-5		18.9 ^{+0.045} ₀	69.85						5±0.015	21.2 ^{+0.1} ₀
	G11-6		19 ^{+0.072} _{+0.020}	75						6±0.015	21.8 ^{+0.1} ₀
	G11-7		28 ^{+0.072} _{+0.020}	70	4-M8	14				8±0.03	31.3 ^{+0.2} ₀
TAG-13	G13-1	140	22 ^{+0.072} _{+0.020}	90	4-M12	20	3	47	45	6±0.015	24.8 ^{+0.1} ₀
	G13-2		22.1 ^{+0.045} ₀	88.9						5±0.015	24.4 ^{+0.1} ₀
TAW-13	W13-1	140	28.45 ^{+0.072} _{+0.020}	88.9	4-M12	20	3	47	50	8±0.03	31.75 ^{+0.2} ₀
	W13-2		31.6 ^{+0.051}							34.9 ^{+0.2} ₀	
	W13-3	170	28 ^{+0.072} _{+0.020}	140						31.3 ^{+0.2} ₀	
	W13-4	140	32 ^{+0.087} _{+0.025}	108						35.3 ^{+0.2} ₀	
	W13-5	140	31.6 ^{+0.045} ₀	140						34.9 ^{+0.2} ₀	
	W13-6	170	31.6 ^{+0.045} ₀	140						34.9 ^{+0.2} ₀	
TAW-17	W17-1	190	42 ^{+0.072} _{+0.020}	160	4-M16	30	7	70	30	10±0.05	47 ^{+0.2} ₀
	W17-2		38 ^{+0.072} _{+0.020}	158.75						43 ^{+0.2} ₀	
	W17-3		33.15 ^{+0.072} _{+0.020}							38.15 ^{+0.2} ₀	

注：表中数值如不能满足要求，选用其它尺寸，订货务请说明。
 Note :If data in this table are not suitable for requirements and other data are adopted,they must be specified when purchasing.

YB-04



BAILIERTONG



VALVE PNEUMATIC ACTUATORS

阀门气动装置

TAG & TAW SERIES



天津百利二通机械有限公司

TIANJIN BAILI ERTONG MACHINERY CO.,LTD.

地址：中国天津市东丽区大毕庄工业区
 Add: Dabizhuang Industrial Zone, Dong Li District, Tianjin, China

电话 Tel: (022) 26750320 26332644
 26321517 26750492
 26154275 26770821

传真 Fax: (022) 26330054 26770821

邮编 P.C.: 300251

网址 <http://www.tet.cn>



ISO 9001 : 2000

TAG、TAW系列阀门气动装置是一种输出轴回转角为 90° 的部分回转型气动执行机构。它可以与球阀、蝶阀等类型阀门组合成气动阀门，也适用于需要 90° 回转运动的其他机械装置。

该产品通过配用电磁阀、定位器等附件可以完成开、关两位置动作控制，以及连续动作控制（自动调节控制）的不同要求。

用户可根据实际需要进行选用。

工作条件技术参数:

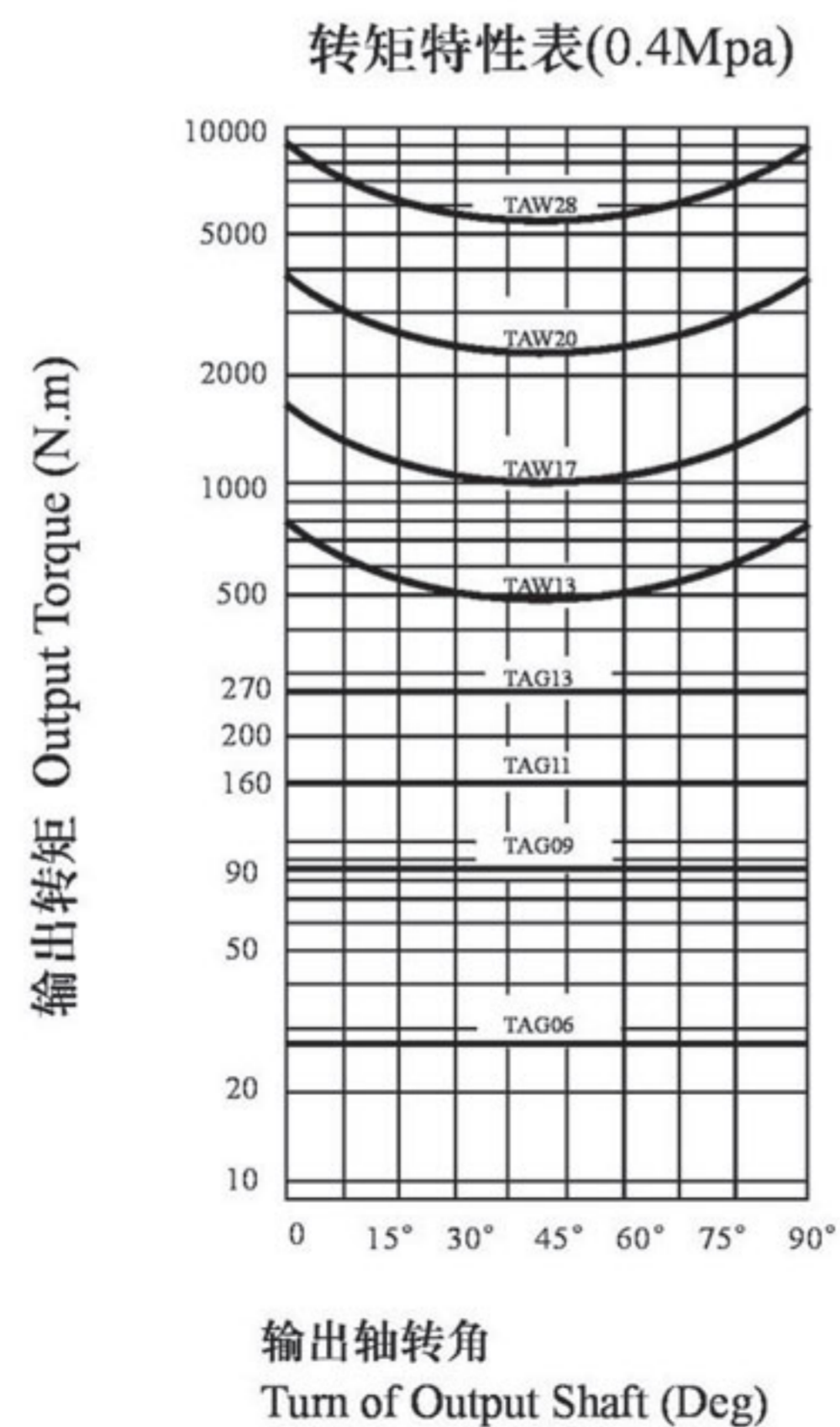
- 工作气源压力: 0.5MPa
- 输出轴转角: 90° ± 2°
- 工作环境温度: -20℃-60℃
- 气源应清洁、干燥，且不含有腐蚀性气体及其它介质。
- 电磁阀电源: AC220V或DC24V
- 终点行程开关电源: AC380V、DC220V

Technical Data

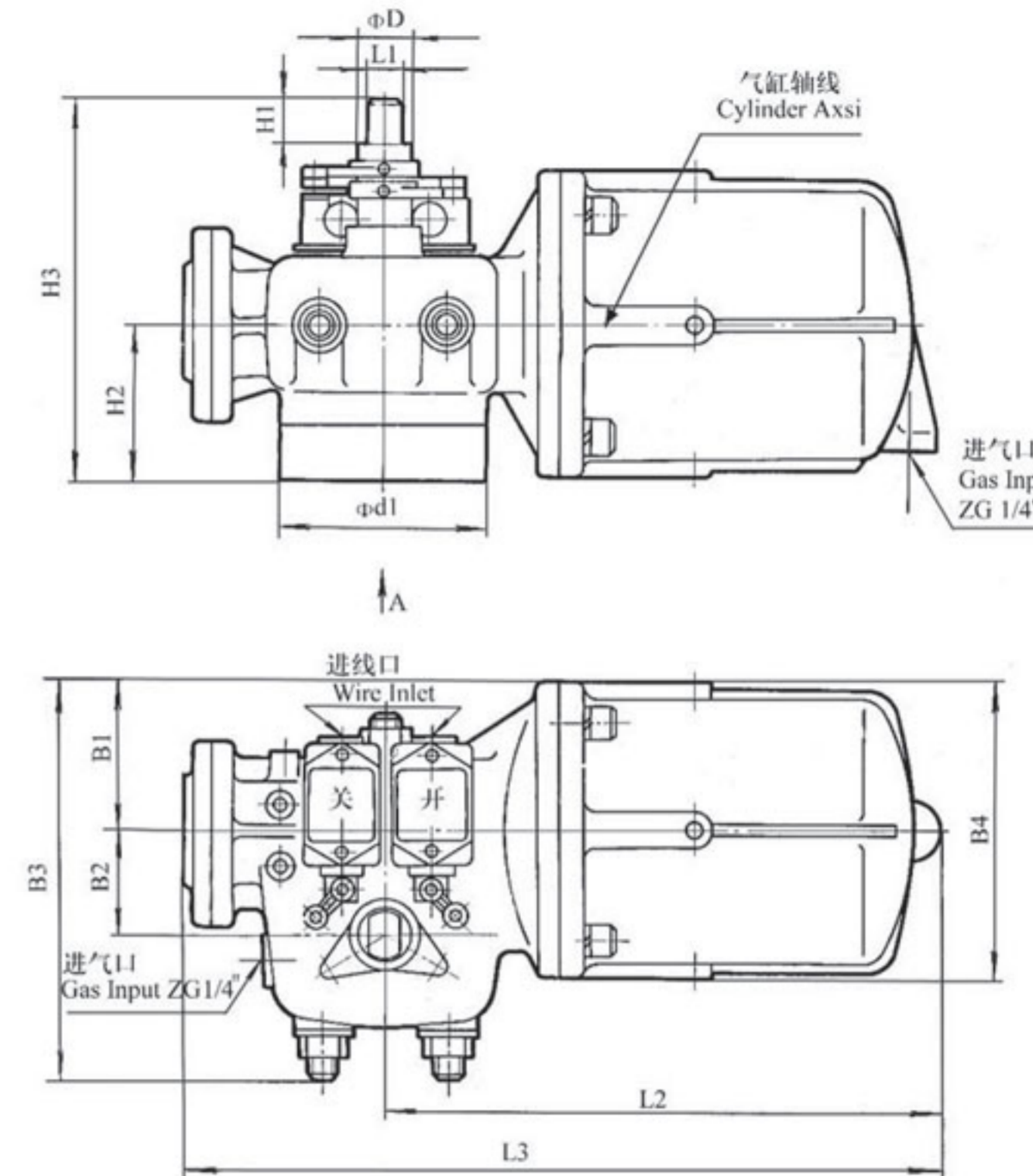
- Pressure of Working Gas Supply: 0.5MPa
- Rotation Angle of Output Shaft: 90° ± 2°
- Circumstance Temperature: -20℃-60℃
- The gas supply should be clean,dry,without corrosive gas and other media.
- Power Supply for Magnetic Valve: AC 220V or DC 24V
- End-position Stroke Switch Power Supply: AC 380V or DC220V

TAG、TAW Series Valve Pneumatic Actuators, are a part-turn type, whose output rotation angle is 90°. If combined with ball valves, butterfly valves and so on, pneumatic valve operation can be realized. TAG and TAW actuators are also suitable for other machine devices with 90° rotation.

With attachments such as magnetic valve, positioning unit etc, controlling on both positions of open and close, and on continuous operation (auto-adjusting control) can be realized. The users should select the actuators in accordance with realistic requirements.

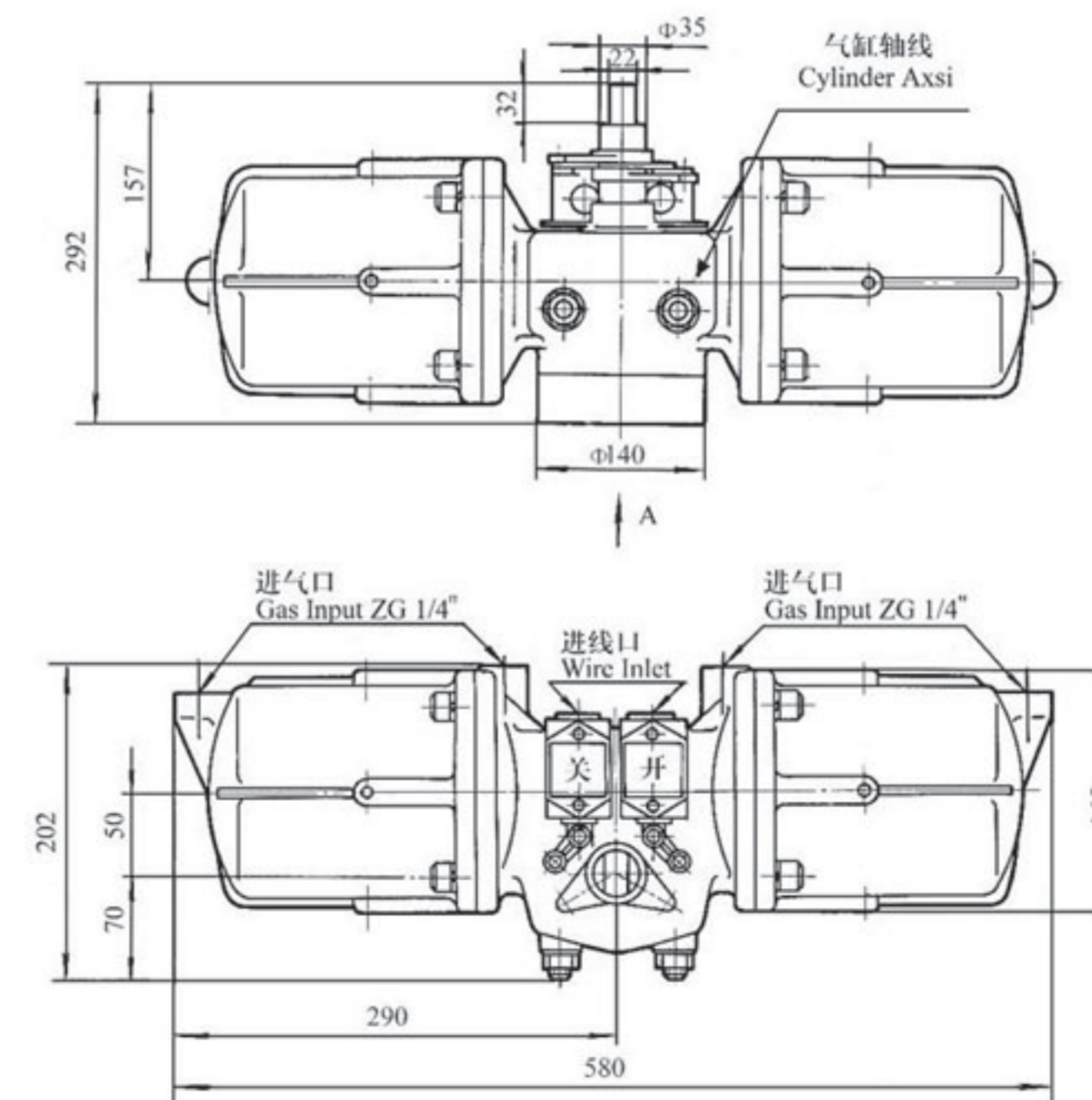


TAG -09, TAG -11 and TAG -13



型号 代号	TAG -09	TAG -11	TAG -13
L1	12	22	22
L2	185	223	257
L3	280	330	400
B1	57	72	83
B2	48	60	73
B3	155	202	225
B4	114	143	165
H1	16	28	28
H2	78	85	110
H3	188	216	241
D	20	35	35
d1	65	90	140

TAW -13



TAW -17

